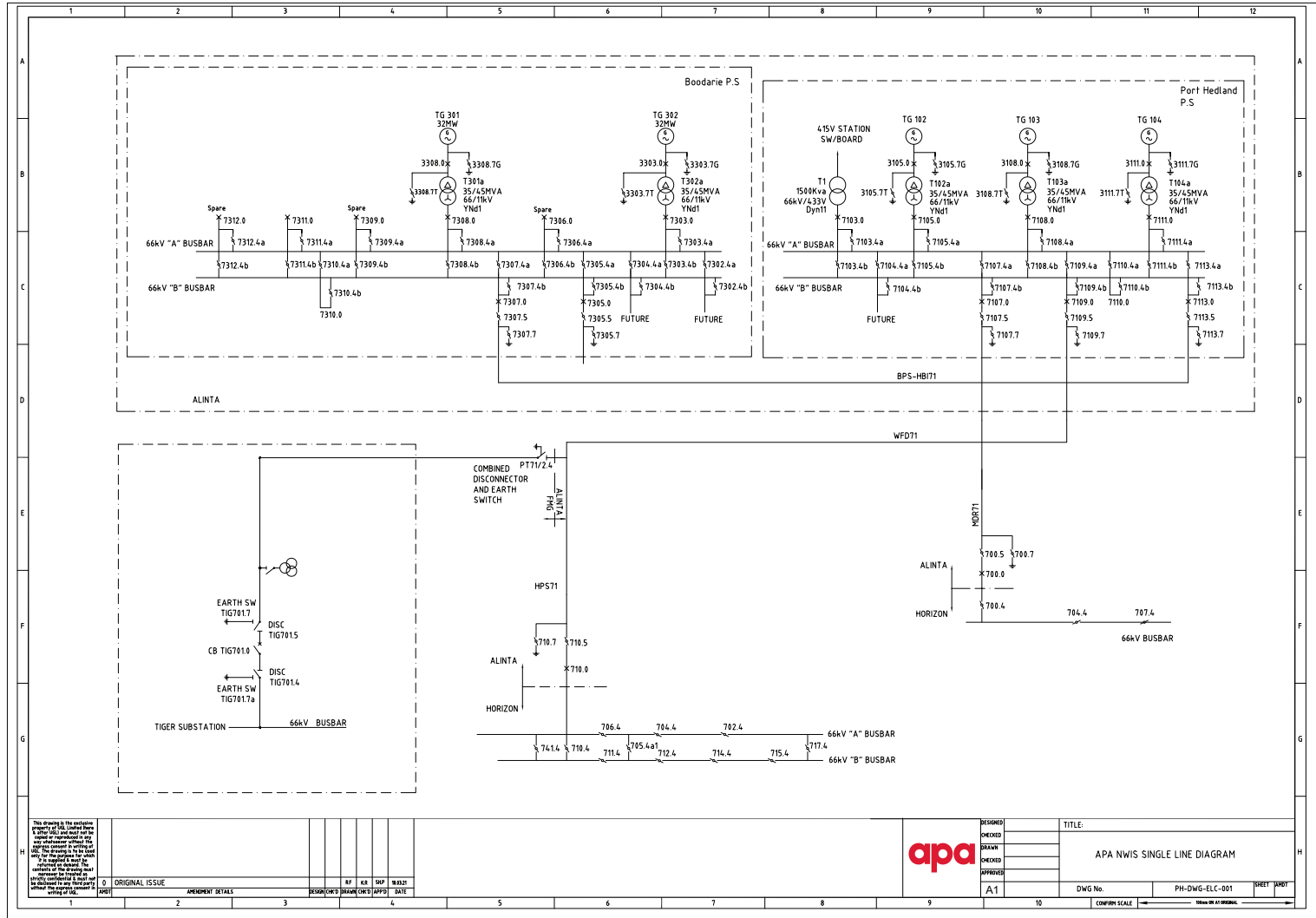




APA DEWAP SINGLE LINE DIAGRAM



<small>This drawing is the property of APA. It shall remain the property of APA and shall not be used for any other purpose without the written consent of APA. The drawings are to be used only for the project and site specified herein. No part of this drawing may be reproduced or transmitted in any form or by any means, electronic, mechanical, photocopying, recording, or by any information storage and retrieval system, without the prior written permission of APA.</small>	
0	ORIGINAL ISSUE
1	AMENDMENT DETAILS
2	DESIGN
3	CHECK
4	APPD
5	DATE

	DESIGNED		TITLE	
	CHECKED		APA NWS SINGLE LINE DIAGRAM	
	DRAWN			
	APPROVED			
A,1	DWG No.	PH-DWG-ELC-001	DATE	
CONFIRM SCALE: 1:1000				